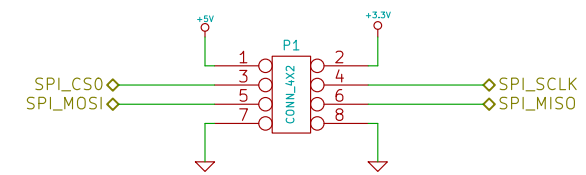
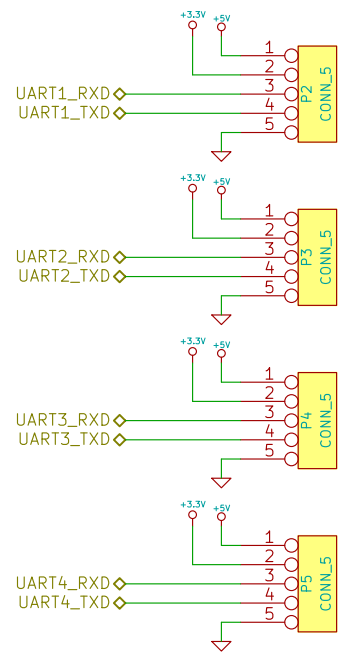


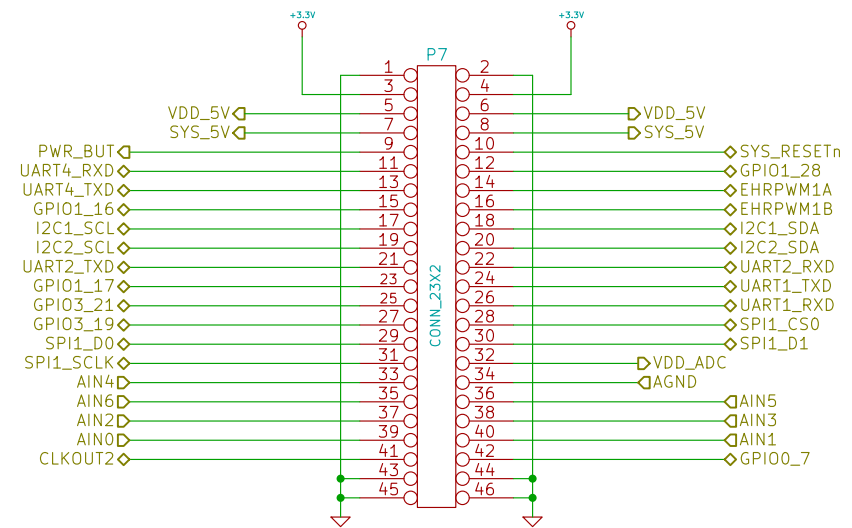
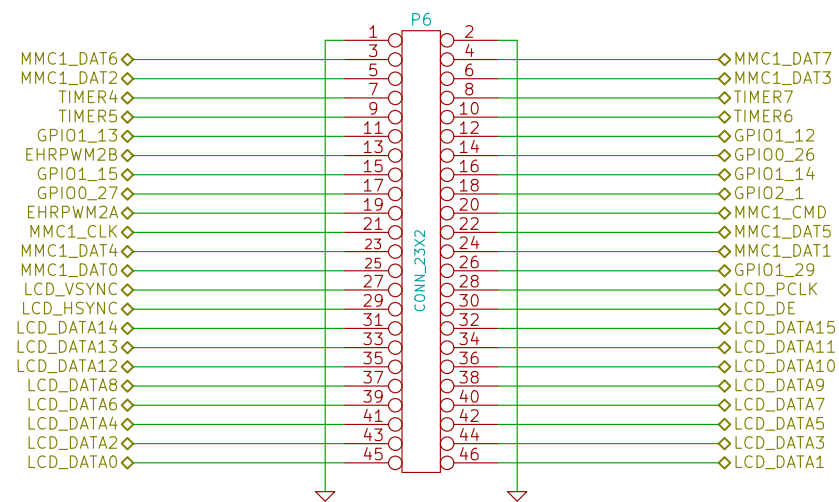
Markus Pargmann		
File: serial_cape.sch		
Sheet: /		
Title: SPI Headers		
Size: A3	Date: 28 mar 2014	Rev: 1
KiCad E.D.A.		Id: 1/9

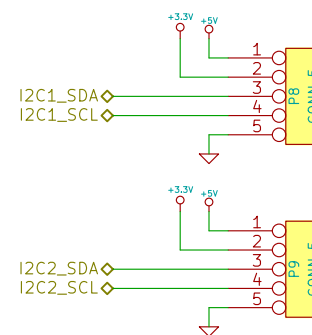


Markus Pargmann		
File: cape_spi.sch		
Sheet: /SPI/		
Title: SPI Headers		
Size: A3	Date: 28 mar 2014	Rev: 1
KiCad E.D.A.		Id: 2/9

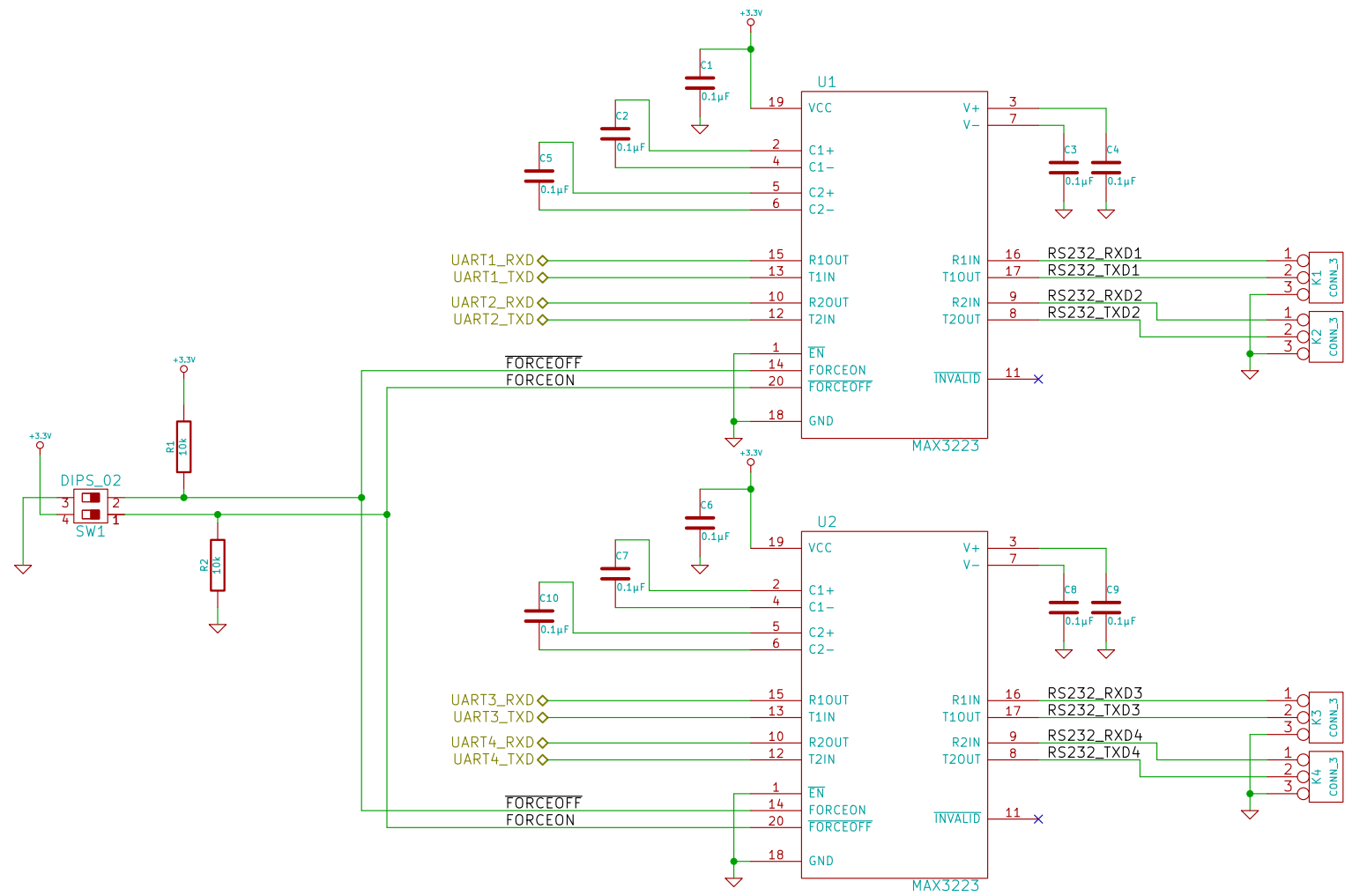


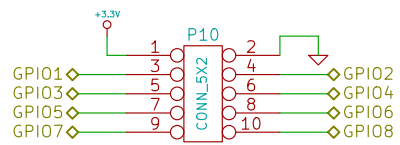
Markus Pargmann		
File: cape_uart.sch		
Sheet: /uart1/		
Title: UART Headers		
Size: A3	Date: 28 mar 2014	Rev: 1
KiCad E.D.A.		Id: 3/9



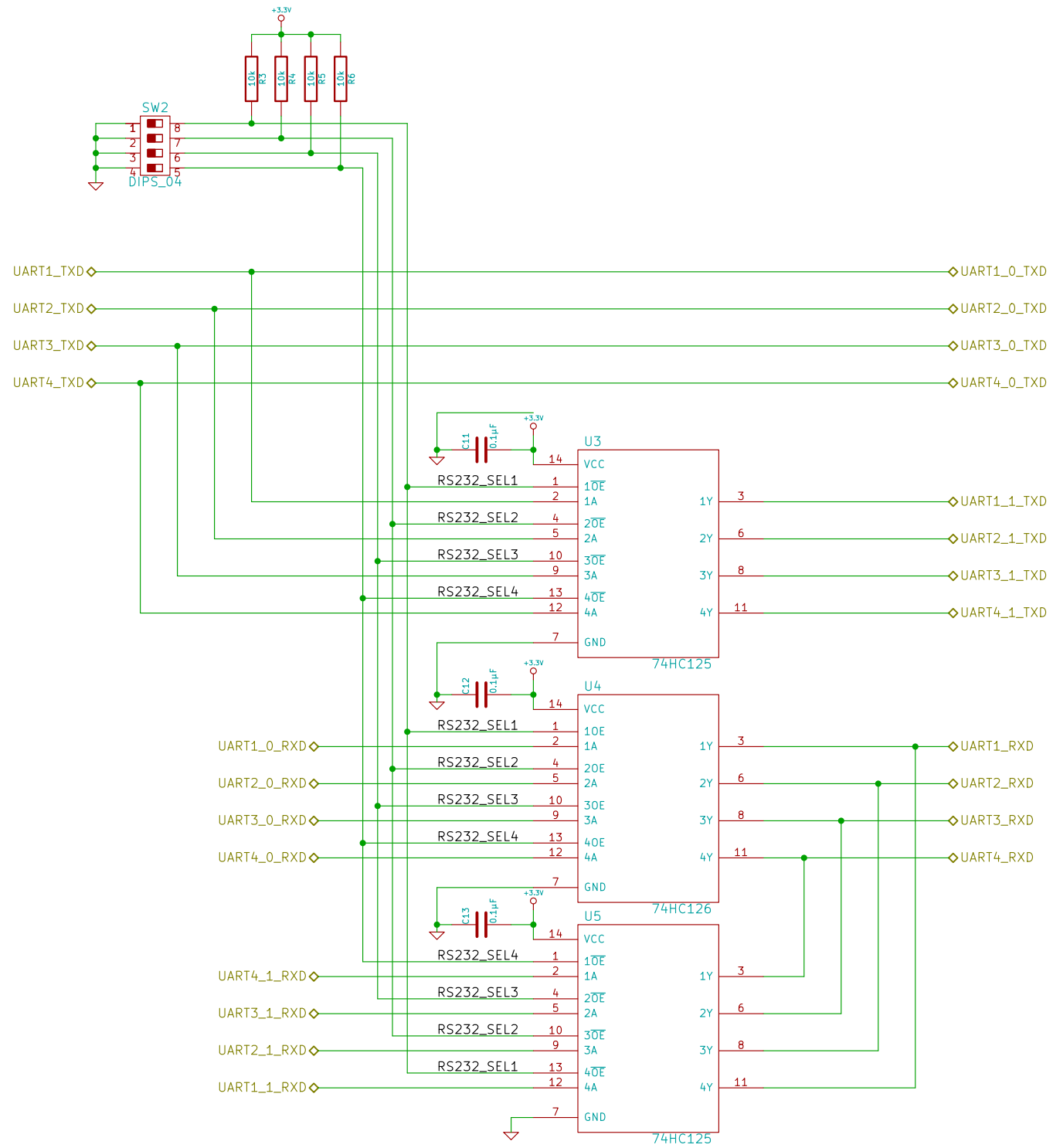


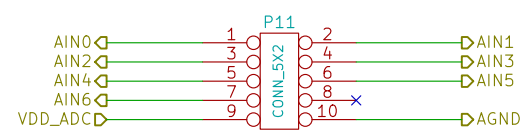
Markus Pargmann		
File: cape_i2c.sch		
Sheet: /I2C/		
Title: I2C Headers		
Size: A3	Date: 28 mar 2014	Rev: 1
KiCad E.D.A.		Id: 5/9





File: gpio_conn.sch		
Sheet: /GPIO Connector/		
Title:		
Size: A4	Date: 28 mar 2014	Rev: 1
KiCad E.D.A.		Id: 7/9





Markus Pargmann		
File: adc_input.sch		
Sheet: /ADC Input/		
Title: ADC Input Header		
Size: A3	Date: 28 mar 2014	Rev: 1
KiCad E.D.A.		Id: 9/9